



PUSH BUTTON SWITCHES (22.5 mm.)

PB7 - SERIES

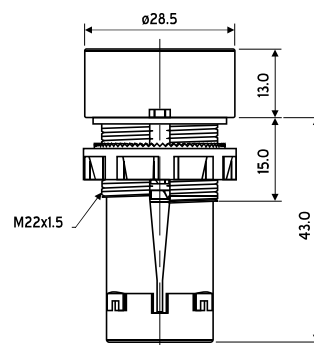
- Characteristics
- Modular in construction
 - Shock proof and vibration resistant
 - Compact in size
 - Provided with shroud for finger protection
 - Available with NO or NC or C/O contacts
 - Available in White, Black, Green, Red, Yellow & Blue button
 - Conform to IEC/EN-60947-5-1

CE

Spring return
(Circular head flush)

Ordering code	Type of contact
---------------	-----------------

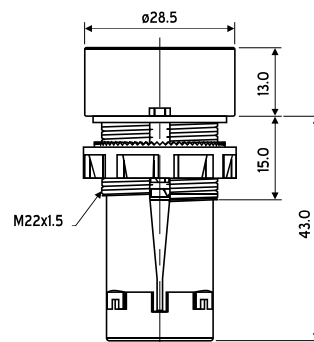
PB7 11A()	NO
PB7 11B()	NC
PB7 11C()	C/O



Push & push to release
(Circular head flush)

Ordering code	Type of contact
---------------	-----------------

PB7 21A()	NO
PB7 21B()	NC
PB7 21C()	C/O



TECHNICAL DATA

Material	Thermoplastic UL94V-0
Ambient temperature	-25° C to + 75° C
Insulation voltage	Ui = 300V
Electrical rating	D300
(AC 14-Utilization category)	
Electrical durability	
(As per IEC-947-5-1 AC 15)	230V ~ (VA)
	50,000 cycles 50
	5,00,000 cycles 20
Available colour	White, Black, Green, Red, Yellow & Blue
Terminal	Screw clamp connection
Wire Size	2 x 1.5mm ² (max.)
Degree of protection	IP-54 (at front)
	IP-20 (at terminal end)
Cut-out required	22.5 mm. dia

() Colour

White	-	1
Black	-	2
Green	-	3
Red	-	4
Yellow	-	5
Blue	-	6

All dimensions are in mm.
Due to continuous improvement in products, we reserve the right to alter specifications without prior notice