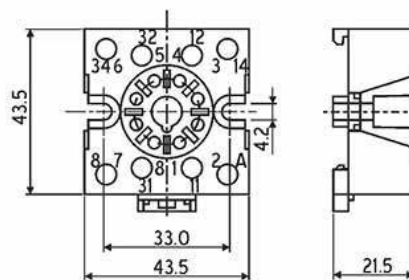


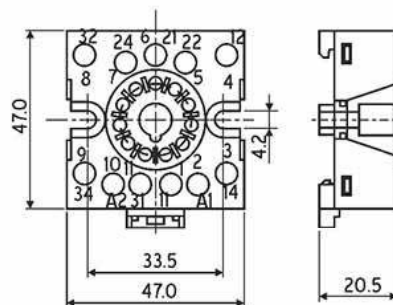
**Compact screw terminal sockets**  
(low profile with finger protection)  
**DIN rail / Surface mounting**



Approval



Ordering code **CDS08**  
Socket 8 pin



Ordering code **CDS11**  
Socket 11 pin

Standard conformity	EN 60947-5-1 IEC 947-5-1
Material	Flame retardant thermoplastic material (UL94V-O)
Colour	Black
Rating	10 A AC/DC, 240V rms.
Dielectric strength	1500V rms. for 1 minute
Insulation resistance	1000Mohms min. at 500V DC
Temperature range	-45°C to +120°C
Mounting	DIN rail EN 50022 or surface with two M4 screws
Terminals	M3 screws with captive washers

All dimensions are in mm.  
Due to continuous improvement in products, we reserve the right to alter specifications without prior notice