



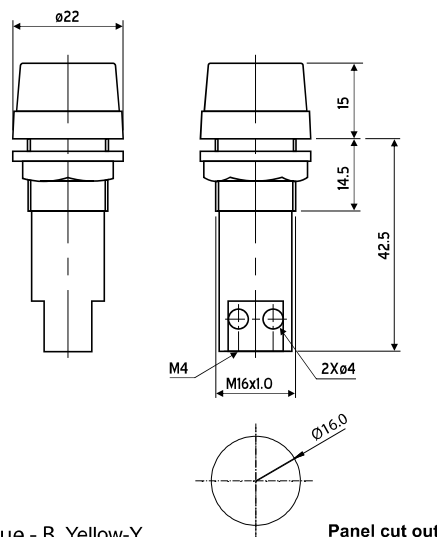
LED MODULE PILOT LIGHTS

LM16 - SERIES

- Characteristics
- Excellent illumination
 - Long life
 - Low current consumption
 - Incorporate solid-state devices
 - Shock proof and vibration resistant
 - Modular in construction
 - Capable to with stand wide voltage variations
 - Fine serrated lens
 - Compact in size and can be directly connected across 220V AC supply
 - Available in Red, Green, Amber, Blue and White colour lens with diffuser
 - Touch-proof terminals (IP20 protection)

Ordering code Voltage

LM16()D 12V AC	12V AC
LM16()D 24V AC	24V AC
LM16()D 48V AC	48V AC
LM16()D 110V AC	110V AC
LM16()D 220V AC	220V AC
LM16()D 415V AC	415V AC
LM16()D 12V DC	12V DC
LM16()D 24V DC	24V DC
LM16()D 48V DC	48V DC
LM16()D 110V DC	110V DC
LM16()D 220V DC	220V DC



() Colour : Red - R, Green - G, White - W, Amber - A, Blue - B, Yellow - Y

TECHNICAL DATA

Current	10mA to 15mA (voltage dependant) 12, 24, 48, 110, 220, 415V AC 12, 24, 48, 110, 220 V DC
Voltage variation	±20% of operating voltage
Insulation resistance	> 500 Mohms
Dielectric test voltage	2.5 KV AC for 1 minute
Illuminated method	Light emitting diodes controlled by electronic circuitry
Ambient temperature	-25°C to +75°C
Available colour	Red, Amber, Green, Blue and White
Material	Thermoplastic (UL94 V O) with ribbed polycarbonate lens
Terminal	Touch proof terminals suitable for 2.5 sq mm. cable
Cut-out required	16.1 mm. dia / 19.0 mm. dia
Ingress protection	IP20 (rear), IP65 (front)

Note : Adaptor plate suitable for 19 mm. cutout is also available, ordering code is **AD19**
Add suffix 'L' in the ordering code of LED Module Pilot Lights for **Low Voltage Glow Protection** feature.

All dimensions are in mm.

Due to continuous improvement in products, we reserve the right to alter specifications without prior notice