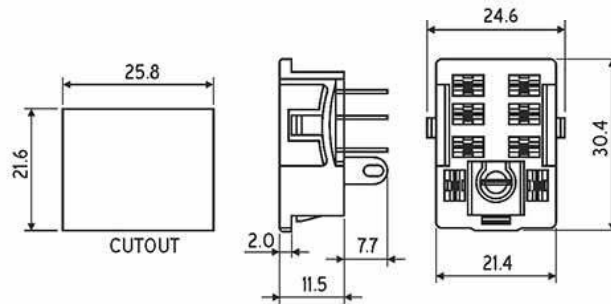


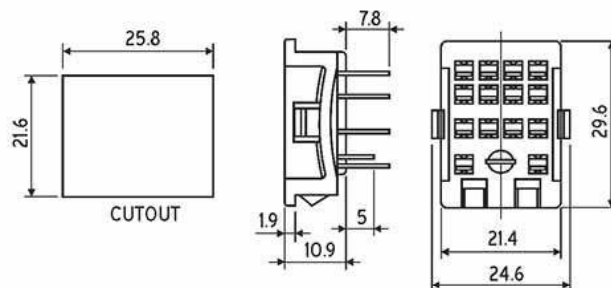
Two pole / Four pole, Solder sockets



Approval



Ordering code **SR2P**
2 Pole



Ordering code **SR4P**
4 Pole

Standard conformity	EN 60947-5-1 IEC 947-5-1
Material	Flame retardant thermoplastic material (UL94V-O)
Colour	Black
Rating	10A, 240V AC
Dielectric strength	2000V AC rms. for 1 minute
Insulation resistance	1000Mohms min. at 500V DC
Temperature range	-45°C to +120°C
Contact resistance	10 milliohms max.
Mounting	Snap fit on the panel cut-out
Terminals	Solder

Note : Retaining clip (RCH) for two pole & four pole solder sockets are available.

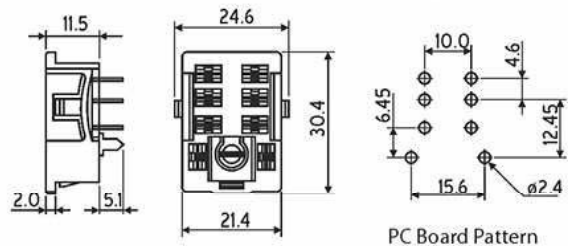
Add suffix 'C' for relay sockets with retaining clip. Ordering code 2 pole socket : SR2PC
4 pole socket : SR4PC

All dimensions are in mm.
Due to continuous improvement in products, we reserve the right to alter specifications without prior notice

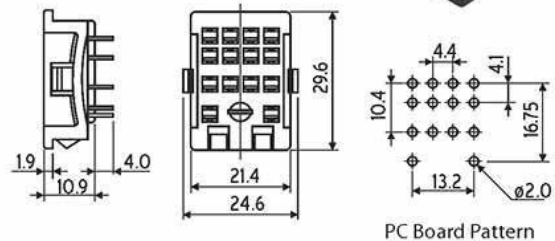
Two pole / Four pole, PCB sockets



Approval



Ordering code **SR2H**
2 Pole



Ordering code	Tail cross section (mm.)	PCB hole size (mm.)
4 Pole		
2 Pole		
SR4H	*SR4H2	0.3 x 1.5
SR4HS	*SR4H2S	0.3 x 1.0

Standard conformity	EN 60947-5-1 IEC 947-5-1
Material	Flame retardant thermoplastic material (UL94V-O)
Colour	Black
Rating	10A, 240V AC
Dielectric strength	2000V AC rms. for 1 minute
Insulation resistance	1000Mohms min. at 500V DC
Temperature range	-45°C to +120°C
Contact resistance	10 milliohms max.
Terminals	PCB mounted

Note: *SR4H / *SR4HS sockets without pins in cavities 2, 3, 6, 7, 10 & 11
 Retaining clip (RCH) for two pole & four pole PCB sockets are available.
 Add suffix 'C' for relay sockets with retaining clip. Ordering code 2 pole socket : SR2HC
 4 pole socket : SR4HC

All dimensions are in mm.
 Due to continuous improvement in products, we reserve the right to alter specifications without prior notice