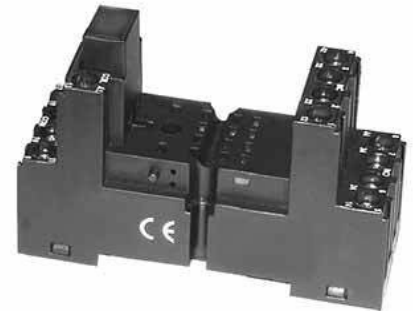
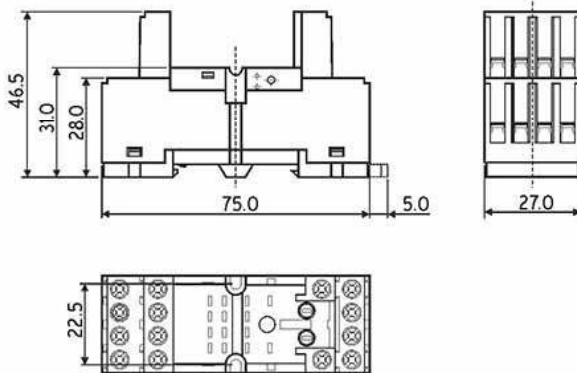




**Two pole/Four pole, Relay sockets**  
(finger protection)  
**DIN rail / surface mounting**



Ordering code      **\*ERS 15/2M**      **ERS 15/4M**  
                                 (2 Pole)                      (4 Pole)

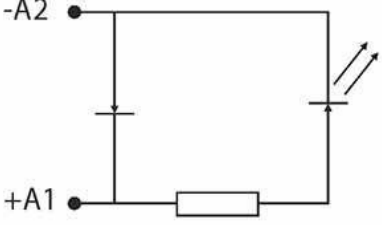
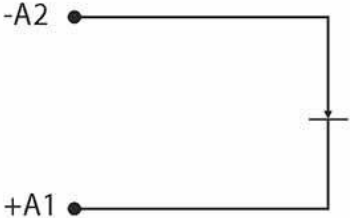
**\*Same as ERS15/4M sockets but  
without terminals in cavity 2,3,6,7,10 & 11**

|                            |   |
|----------------------------|---|
| Standard conformity        | EN 60947-5-1<br>IEC 947-5-1                     |
| Material                   | Flame retardant thermoplastic (UL94V-0)         |
| Colour                     | Black   |
| Rating                     | 10A, 300V AC                                    |
| Dielectric strength        | >2.5KV for 1 min.                               |
| Insulation resistance      | 1000 Mohms (min.)                               |
| Contact resistance         | 10 mohms (max.)                                 |
| Temperature range          | -45°C to +120°C                                 |
| Mounting                   | DIN Rail EN 50022 or surface with two M3 screws |
| Terminals                  | Combi-screw M3                                  |
| Terminal protection degree | IP20  |
| Torque on screw            | 0.8 Nm  |
| Wire size                  | 2 x 2.5 sq. mm.                                 |

All dimensions are in mm.  
Due to continuous improvement in products, we reserve the right to alter specifications without prior notice

**Plug-in indicator & protection module**



| Description                  | Voltage      | Diagram  | LED Colour | Ordering Code |
|------------------------------|--------------|--|------------|---------------|
| LED indication               | 6/24 V DC    |    | Red        | <b>LP1</b>    |
| and Polarity                 | 24/60 V DC   |  | Red        | <b>LP2</b>    |
| reversal protection          | 110/230 V DC |  | Red        | <b>LP3</b>    |
| Polarity reversal protection | 6/230 V DC   |  | ---        | <b>P1</b>     |

**Note : Custom made modules on request.**

| Accessories              | Ordering code |
|--------------------------|---------------|
| Hold down spring         | <b>RCE</b>    |
| Hold down spring/ejector | <b>HDE</b>    |
| Marking Plate            | <b>MPI</b>    |

All dimensions are in mm.  
Due to continuous improvement in products, we reserve the right to alter specifications without prior notice