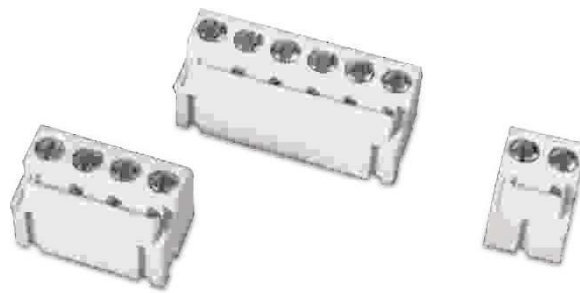


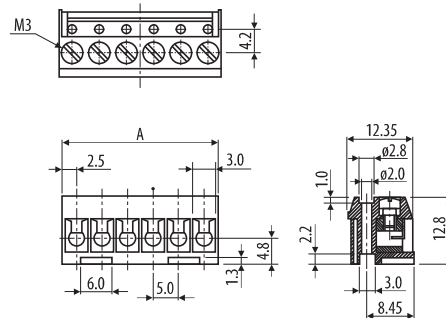
- Characteristics
- Heavy duty plug-in terminal blocks with screw connections
 - Plug on vertical headers
 - Solid terminals have features for both plug-in and screw connections
 - Silver plated contact lips
 - Suitable for mating with pins of dia. 1.3 mm.
 - Wire protector to give strong grip, prevents damage to the cable
 - Available in 2, 4 and 6 ways



5.0 mm. pitch

Ordering code	No. of ways
882 1() 02	2 way
882 1() 04	4 way
882 1() 06	6 way

() Colour: A - BLACK, B - BLUE, G - GREY



A = Number of ways x Pin spacing (5 mm.)

TECHNICAL DATA:

Voltage	300 V (for 5.00mm pitch)
Current	15 A
Contact resistance	15 milliohm max.
Insulation resistance	1000 Mohms min. at 500VDC
Dielectric strength	1500VAC for one min.
Wire gauge	28-14 AWG
Tightening torque	0.5 Nm

MATERIALS :

Body	Flame retardant thermoplastic (UL94V-0)
Terminal	Copper alloy nickel plated
Contact dip	Copper alloy silver plated
Terminal screw	Steel zinc plated and yellow chromated
Wire protector	Stainless steel

All dimensions are in mm.
Due to continuous improvement in products, we reserve the right to alter specifications without prior notice