

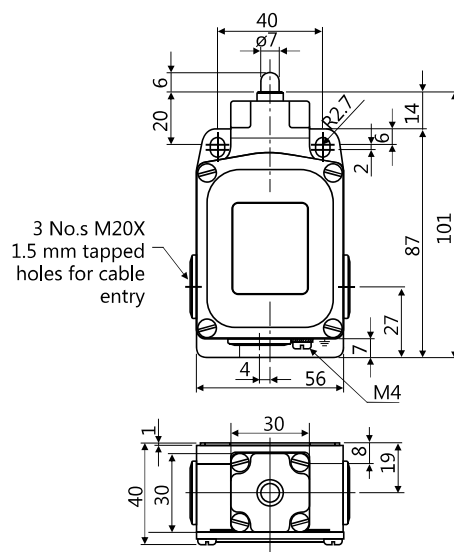


OIL TIGHT LIMIT SWITCHES LS - SERIES

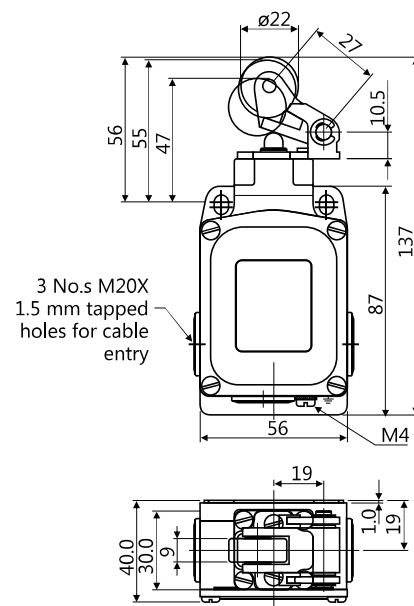
- Characteristics
- Having 1 NO + 1 NC contacts (SPDT),
 - Normal or snap action.
 - Die-cast aluminum housing has IP65 protection.
 - Long electrical and mechanical life.
 - Ample wiring space for easy termination.
 - Conform to IEC 947-5-1 standard.

CE

Ordering code	LSP-OT
Design	1 NO + 1 NC NC opens before NO closes
Enclosure	Diecast housing with push rod
Actuating force	1.0 Kg. (max.)
With Polyamide cable gland (M20 x 1.5)	Ordering code - LSP-OT1



Ordering code	LSR-OT
Design	1 NO + 1 NC NC opens before NO closes
Enclosure	Diecast housing with roller lever
Actuating force	0.75 Kg. (max.)
With Polyamide cable gland (M20 x 1.5)	Ordering code - LSR-OT1

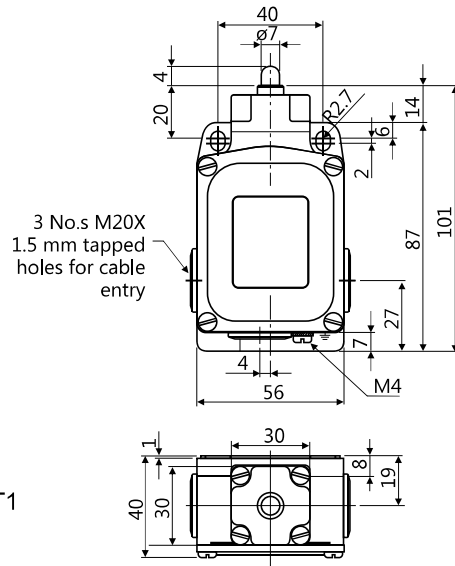




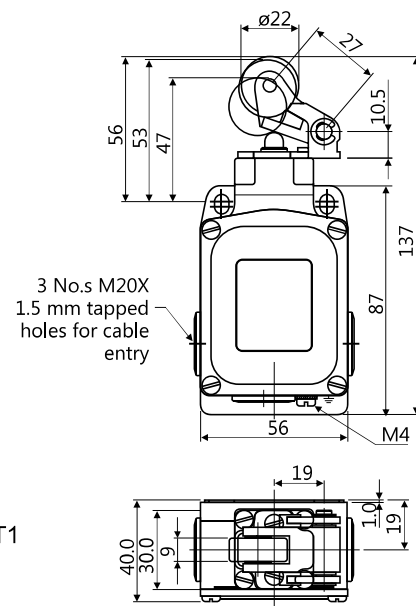
OIL TIGHT LIMIT SWITCHES

LS - SERIES

Ordering code	LSPS-OT
Design	1 NO + 1 NC Snap action mechanism
Enclosure	Diecast housing with push rod
Actuating force	1.5 Kg. (max.)
With Polyamide cable gland (M20 x 1.5)	Ordering code - LSPS-OT1



Ordering code	LSRS-OT
Design	1 NO + 1 NC Snap action mechanism
Enclosure	Diecast housing with roller lever
Actuating force	1.2 Kg. (max.)
With Polyamide cable gland (M20 x 1.5)	Ordering code - LSRS-OT1



TECHNICAL DATA

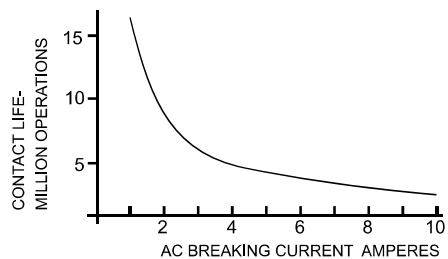
Electrical ratings	10 A at 500V AC 0.4 A at 440V DC non-inductive 0.8 A at 250 V DC non-inductive
Mechanical life	15,000,000 switching cycles (typical)
Contact life	Upto 15,000,000 switching operations depending on breaking current (see graph)
Temperature and humidity	All switches are designed for use upto an ambient temperature of 50° C and 85% R.H.
Contact resistance	20 milliohm max.
Dielectric strength	2kV AC rms
Insulation resistance	1000 Mohms min.

All dimensions are in mm
Due to continuous improvement in products, we reserve the right to alter specifications without prior notice



LIMIT SWITCHES

LS - SERIES



Ordering code	Contact arrangement	Terminal No.	Travel in mm.
LSO / LSO-C / LSO-CP / LSP		1 2 3 4	
LSOS / LSOS-C / LSOS-CP / LSPS		1 2 3 4	
*LSR/LSR-OT		1 2 3 4	
*LSRS / LSRS-OT		1 2 3 4	
LSO-12 / LSO-12C		1 2 3 4 5 6	
LSO-21 / LSO-21C		1 2 3 4 5 6	
LSO-22 / LSO-22C		1 2 3 4 5 6 7 8	

Contact closed
 Contact open

Note 1. * For limit switch with roller lever, the travel is reckoned from the point where the roller touches the push-rod.
 2. # The point of operation during return travel.

All dimensions are in mm.
 Due to continuous improvement in products, we reserve the right to alter specifications without prior notice