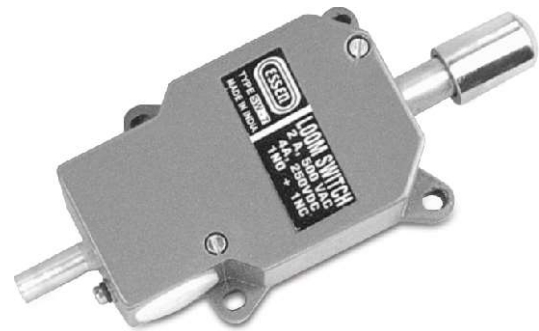




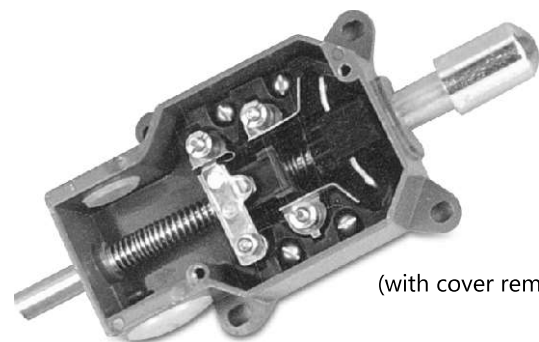
## LOOM SWITCHES SW7 / SW8 - SERIES

- Characteristics
- 1 NO + 1 NC contacts.
  - Totally enclosed in die cast housing having 3/4" B.S. conduit threaded entries on both sides.
  - Spring loaded plunger.

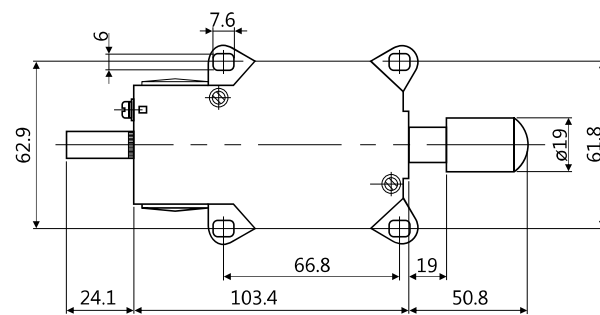
Ordering code	<b>SW7</b>
Design	1 NO + 1 NC contacts NO closes before NC opens
Enclosure	Diecast
Actuating force	3 Kg. (max.)
Pretravel	5.1 mm.
Total travel of the plunger	17.8 mm.



Ordering code	<b>SW8</b>
Design	1 NO + 1 NC contacts NO closes after NC opens
Enclosure	Diecast
Actuating force	3 Kg. (max.)
Pretravel	5.1 mm.
Total travel of the plunger	17.8 mm.



(with cover removed)



Width 40.0

### TECHNICAL DATA

Electrical ratings	2 A at 500V AC
Dielectric strength	2kV AC rms
Insulation resistance	1000 Mohms min.
Contact resistance	20 milliohm max.

All dimensions are in mm.  
Due to continuous improvement in products, we reserve the right to alter specifications without prior notice

[www.essendeinki.com](http://www.essendeinki.com)